

# ZHYTOMYR STATE TECHNOLOGICAL UNIVERSITY

## Faculty of Mechanical Engineering



### The dean of the faculty

Candidate of Technical Sciences, Associate Professor

Oleksiy Gromovyy

Address:

10005, Zhytomyr,

Chernyachovsky Street 103, room 327,

Phone number: (0412)24-14-18, (067)411-07-17

## Directions of training:

**Mechanical Engineering** (speciality “Technology of Machine Building” – certificates in Mathematics, the Ukrainian Language and Literature and Physics;

**Machine Building** (specialities “Metal Cutting Machines and Instruments” and “Equipment of Chemical Productions and Building Materials Enterprises” - certificates in Mathematics, the Ukrainian Language and Literature and Physics;

**Automobile Transport** (speciality “Automobiles and automobile economy” - certificates in Mathematics, the Ukrainian Language and Literature and Physics;

**Transport Technologies** (speciality “Logistics and traffic management” - certificates in Mathematics, the Ukrainian Language and Literature and English;

**Intake is conducted for full-time and correspondence form of training**

### **TRAINING DIRECTION: Mechanical Engineering**

#### **(speciality “Technology of Machine Building”)**

The speciality “Technology of Machine Building” is one of the main in the machine building branch. The development perspectives of machine building are connected with the implementation of information technologies and computer systems into production. Getting the speciality by the graduate presupposes mastering technologies of machine processing and implementation of acquired knowledge in production basing on the usage of information mechanisms and systems of computer-aided design CAD/CAE/CAM with software Askon Compass 3D, Math Cad, Solidworks, Delcam etc.



the

The sphere of graduates’ professional activity includes branches of science and technologies, aimed for creating competitive machine building products via using modern methods and means of design, physical and computer modeling.

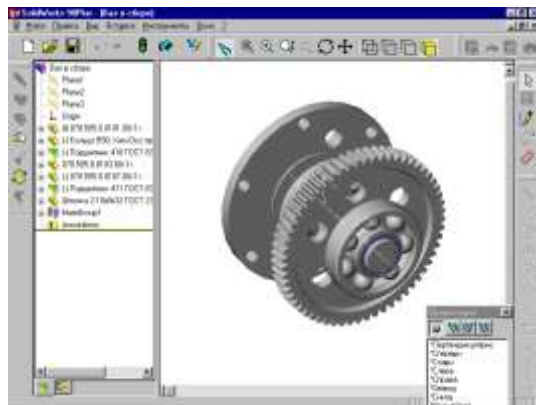
**The speciality is accredited by the IVth level.** Having received the qualification of bachelor in mechanical engineering, mechanical engineer and master in mechanical engineering, graduates can work at the machine building enterprises at the branches of design, production and maintenance of machines and mechanical equipment. The received qualifications allow taking the posts of engineers-technologists, production managers, researches, specialists in management of machine building enterprises subdivisions, teachers of higher educational institutions (universities, institutes, colleges etc.).

### **TRAINING DIRECTION: Machine Building**

#### **(speciality “Metal Cutting Machines and Systems”)**

The graduates of the speciality “Metal Cutting Machines and Systems” can take engineering-technical posts at the enterprises, at design, scientific-research and educational establishments working in the direction of design and metal-cutting benches production.

**The speciality is accredited by the IVth level.** Graduates can get the qualification of a mechanical engineer or a master in machine building. The software Askon-Compass-3D, Autodesk, Solidworks Delcam PowerMill is used in the educational process at the design of metal-cutting equipment and machine components. Creating educational centre of the company “Decam pls” at the faculty basis allows the students to use cutting-edge software products for 3D modeling components, joints and mechanisms metal-cutting benches and other industrial equipment, for preparing performance programmes for of computer numerical control, industrial modeling and design.



for  
of  
high-  
benches

Posts: design engineer, engineer in production processes mechanization and automation, engineer in production equipment arrangement and probation, engineer in scientific-technical information, operator in equipment redecoration and maintenance, consulting engineer in selling industrial equipment.

### **TRAINING DIRECTION: Machine Building**

**(speciality “Equipment of Chemical Productions and Building Materials Enterprises”)**

Zhytomyr and Zhytomyr region have been for already three centuries one of the most powerful regions of Ukraine where glass and porcelain plants are concentrated, for already three centuries. Today 1 porcelain plant in ware manufacturing and 1 plant in technical porcelain manufacturing, 6 plants in glass manufacturing work at the region territory. Besides, a great amount of enterprises in building materials production work under the contemporary conditions, but the experience severe shortage of the qualified staff including mechanical engineers in equipment.

Therefore human resource development in this field is becoming urgent for the region. The graduate of this specialty will be able to fill an engineering position in the enterprises of glass and porcelain-faience industry, building materials industry. The graduate is also able to use systems of computer-aided design of technological processes of chemical and building manufacturing using software from such companies as ASKON (Kompas), Solidworks corp. (Solidworks Premium), Delcam (PowerShape, PowerMill, ArtCAM) and others.

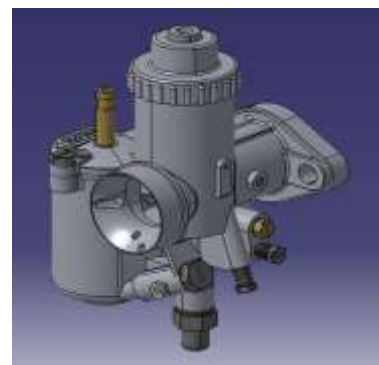
**TRAINING DIRECTION: Automobiles**

**(speciality “Automobiles and automobile economy”)**

Training has been provided at the university since 1995. Graduates of this specialty can hold engineering posts such as engineers, vehicle advisers, managers of material logistics services, consultants of scientific-research centers, vehicle service centers.

Main places of employment: automobile industry enterprises, transport and service enterprises, cargo transportation enterprises, higher educational institutions and colleges.

Tasks that any graduate can solve are the following: automobile development and design, construction and service of technological equipment, expert judgement, certification, consulting services in the field of exploitation, patch of automobile transport, organization of system of control and road safety protection, management of motor transport enterprises, organization and implementing of scientific researches.



**IV accreditation level specialty.** Graduates can get qualification of mechanical engineer or Bachelor of Automobile Transport.

#### Peculiarities of Studying

- free education according to the state order (50%);
- implementing of lessons using modern educational techniques and multimedia equipment. 3 computer classes are involved in educational process fit with license software: Microsoft, Solidworks corp. (USA), Dassault Systems (France), ASKON (Russia), Delcam (Great Britain);
- educational process specify an opportunity of getting qualified employee diploma in accordance with a state standard: broad-scoped machine operator (turner, miller, driller, grinder, welder, mechanic) (1-3 year of studying), military training service, studying on the faculty of specialist retraining on economic specialties and programming;
- practice training in leading enterprises of the region;
- students' participating in scientific researches of the faculty, scientific conferences, both Ukrainian and international;
- students of the faculty have an opportunity to have a probation at technical universities in European countries;
- graduates have an opportunity to have a post-graduate course, to fill scientific pedagogical positions or to continue their studying abroad and get Master diploma according to European standards.

#### **STUDENTS' LEISURE TIME**

Students of the faculty of mechanical engineering actively participate in university and faculty events. Students take prize-winning places in Ukrainian and international competitions, European and world championship. The faculty provides students and teachers with appropriate conditions for sport training. Student center gives an opportunity to everyone to reveal his talent in singing, dancing. Students of the faculty take active part in self-management of the University.

**WE ARE GLAD TO HAVE YOU STUDENTS OF THE FACULTY OF MECHANICAL ENGINEERING OF ZHYTOMYR STATE TECHNOLOGICAL UNIVERSITY!**

## **MECHANICAL ENGINEERING FACULTY**

10005,Zhytomyr, Chernyachovsky Street 103, Rooms 327, 329

Phone number: (0412)24-14-18, (067)411-07-17

e-mail: [agromovoy@ukr.net](mailto:agromovoy@ukr.net)

<http://fim.blog.ztu.edu.ua>;

[http://vk.com/dekanat\\_fim](http://vk.com/dekanat_fim)

## **ADMISSION COMMITTEE**

10005,Zhytomyr, Chernyachovsky Street 103, Room 100

Phone number: (0412)24-14-27, (067)411-32-95

e-mail: [pr\\_k@ztu.edu.ua](mailto:pr_k@ztu.edu.ua)

<http://www.ztu.edu.ua>;

<http://www.admissions.blog.ztu.edu.ua>

## **PRELIMINARY TRAINING DEPARTMENT**

10005,Zhytomyr, Chernyachovsky Street 103, Room 117a

Phone number: (0412)24-14-27, (067)411-32-95

e-mail: [fdp@ztu.edu.ua](mailto:fdp@ztu.edu.ua)

<http://www.ztu.edu.ua>;